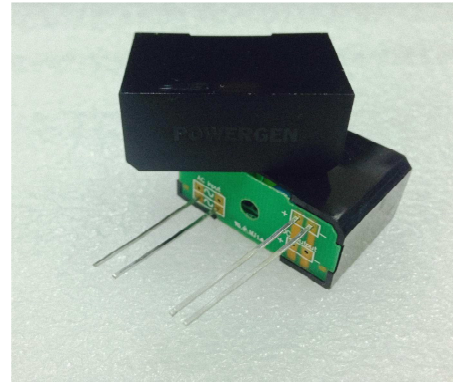


PA0424S Switching Mode Power Supply

Special Features

- Small Single-purpose power supply
- Wide Input Range(AC85V~265V)
- Isolated output
- Short circuit protection
- Over voltage protection
- Thermal shutdown



Electrical Characteristics

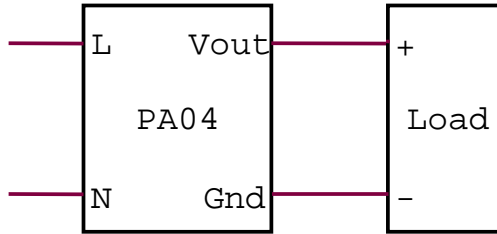
Characteristics		Condition	Min.	Typ.	Max.	Unit
AC Input	Voltage Range(1)		85	220	265	V
	Current	Vi=AC220V, Io=150mA	-	-	0.1	A
DC Output	Voltage Range	Vi=AC220V, Io=0~150mA	22.0	24.0	26.0	V
	Output Current		-	100	150	mA
	Line Regulation	Vi=AC85~220V, Io=150mA	-	-	0.2	V
	Load Regulation	Vi=AC220V, Io=0~105mA	-	-	0.2	V
	Ripple Voltage	Vi=AC220V, Io=150mA	-	-	0.2	Vp-p
	Efficiency	Vi=AC220V, Io=150mA	-	62	-	%
Power Consumption	No Load	Vi=AC220V, Io=0mA	-	-	0.5	W
	Full Load	Vi=AC220V, Io=150mA	-	-	5	W
Ambient Temperature	Operating Range		-10	-	60	°C
	Storage Range		-45	-	105	°C

Notes

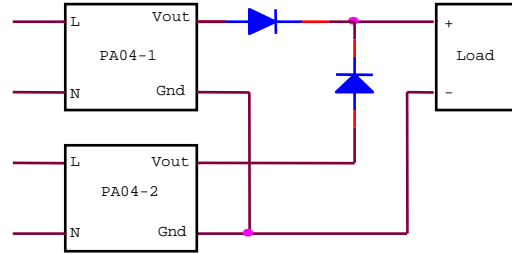
- (1) For cases where the conformance to various safety spec is required, input voltage and frequency range will be 85~265VAC, 60Hz.

Application Circuit

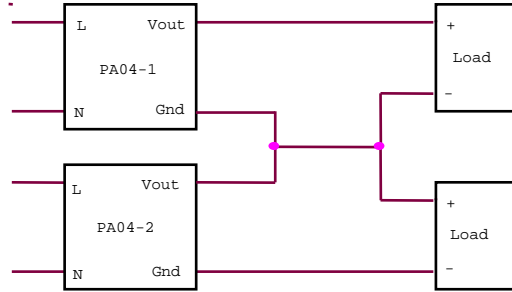
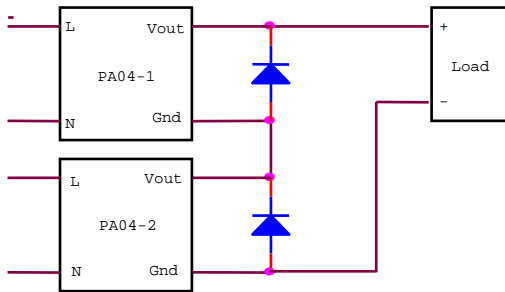
Basic connector



Parallel Operation



Series Operation



Diode : schottky or fast recovery

Short circuit protection

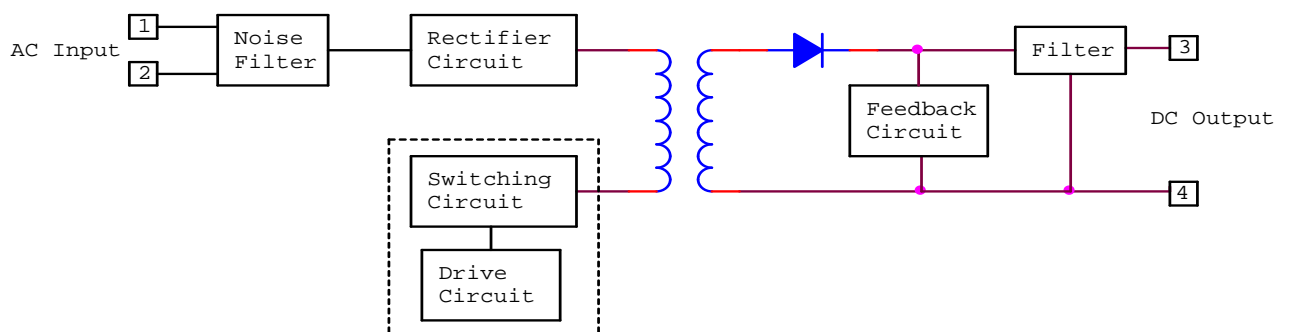
By permanently monitoring the feedback line activity, the IC is able to detect the presence of a short-circuit, immediately reducing the output power for a total system protection. Once the short has disappeared, the controller resumes and goes back to normal operation.

Thermal shutdown

Temperature Shutdown 150°C

Hysteresis in Shutdown 50°C

Block Diagram



Reliability

ITEM	Test Method & Specification
High Temperature Storage	온도 105±2℃ 환경에서 96 시간 보관 후 상온에서 측정하여 전기적 특성을 만족할 것 / 5PCS
High Humidity Storage	온도 85±2℃ , 습도 85% 환경에서 96 시간 보관 후 상온에서 측정하여 전기적 특성을 만족할 것 / 5PCS
Low Temperature Storage	온도 -20℃±2℃ 환경에서 96 시간 보관 후 상온에서 측정하여 전기적 특성을 만족할 것 / 5PCS
Steady State Operating	온도 60±2℃ 환경에서 정격 최대 부하로 96 시간 동작 후 상온에서 측정하여 전기적 특성을 만족할 것 / 5PCS

Characteristic Test

V_{in} [V]	LOAD [mA]	V_{out} [V]			Output Ripple Voltage [mV]
		MIN	TYP	MAX	
85	0~ 150	22.0	24.0	26.0	200mV _{P-P} (max)
220	0~ 150	22.0	24.0	26.0	200mV _{P-P} (max)
265	0~ 150	22.0	24.0	26.0	200mV _{P-P} (max)

*측정기

- 출력전압 : **Digital Oscilloscope (YOKOGAWA DL9240L 10Gs/s 1.5Ghz) or**

Digital Multi Meter (YOKOGAWA 732)

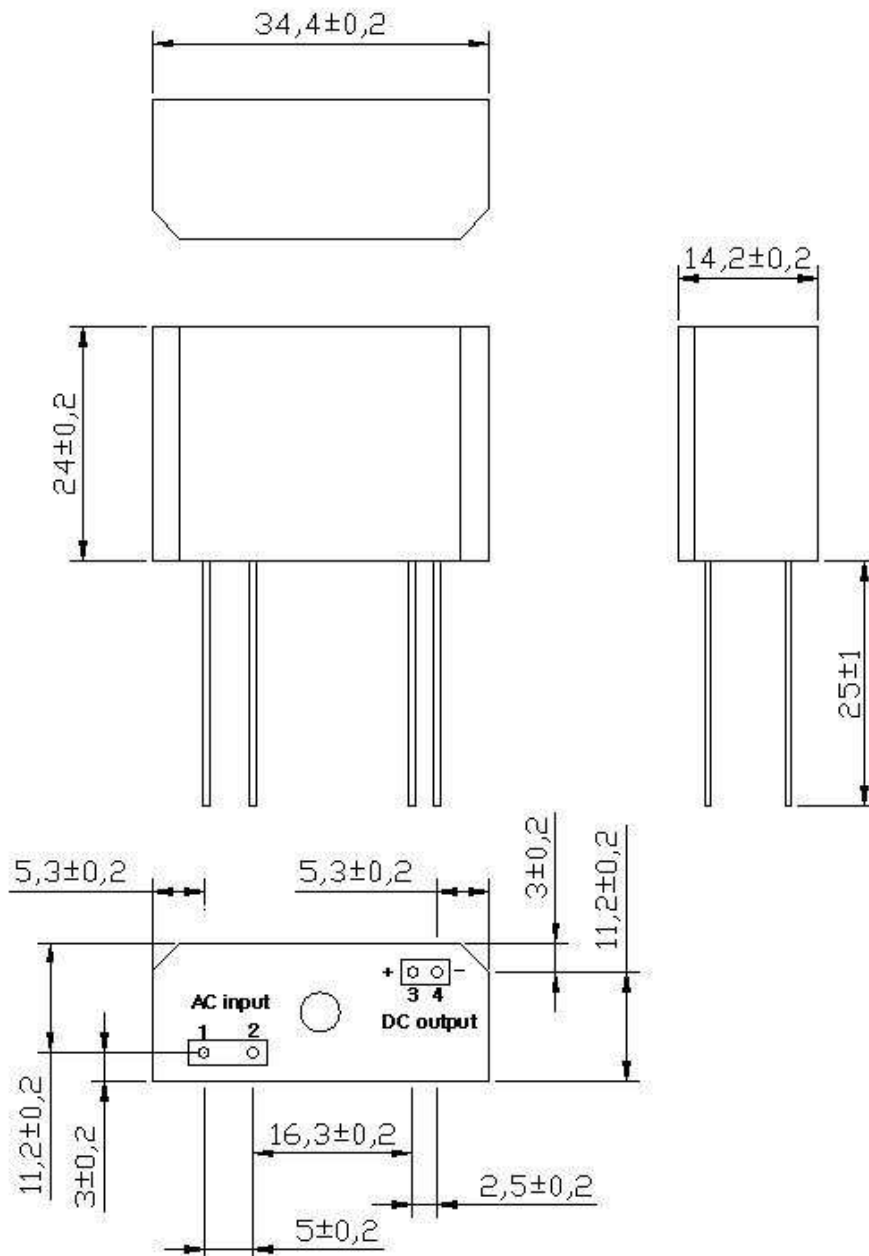
- **Ripple**출력전압 : **Digital Oscilloscope (YOKOGAWA DL9240L 10Gs/s 1.5Ghz)**

Dimension

Pin No.	Description
1	AC INPUT_R
2	AC INPUT_T
3	DC OUTPUT(+)
4	DC OUTPUT(-)

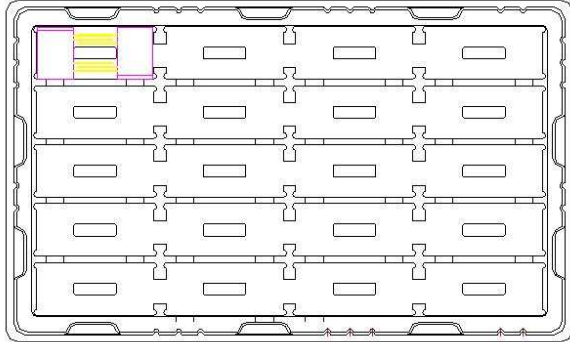
Notes

1. Dimension in mm



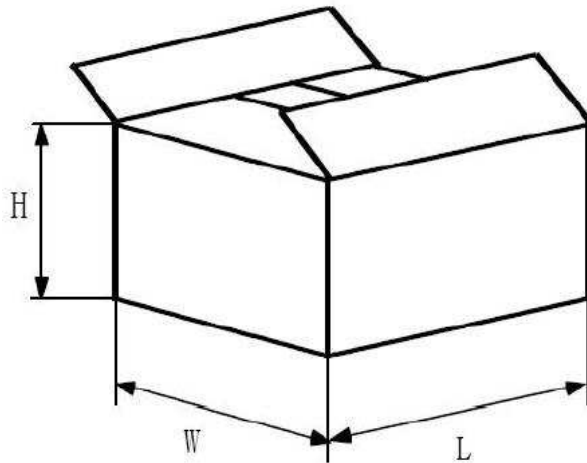
Packing Specification

1. Inner Box



Matter	PET
Size	380 X 230 X 21 X 0.8t
Quantity	40 pcs (8X5)

2. Output Box



L	460
W	390
H	225
Quantity	1040EA
Marking	1. Maker 2. Part Number 3. Quantity

* Unit : mm

POWERGEN Co., Ltd.

67-13, Shinchon-dong, Changwon si, Gyeongnam, S.Korea, 642-370

TEL+ 82 55 275 7803~4 FAX + 82 55 275 7805

This semiconductor technical data is believed to be accurate and reliable, however POWERGEN does not assume any responsibility arising out of the application or use of any product or circuit described herein; neither does it convey any license under its patent rights nor the rights of others.

POWERGEN reserves the right at anytime without notice to change said circuitry and specifications.