

SMPS Modules

PA0412S Switching Mode Power Supply

Special Features

- Small Single-purpose power supply
- Wide Input Range(AC85V~265V)
- Isolated output
- Short circuit protection
- Over voltage protection
- Thermal shutdown



Electrical Characteristics

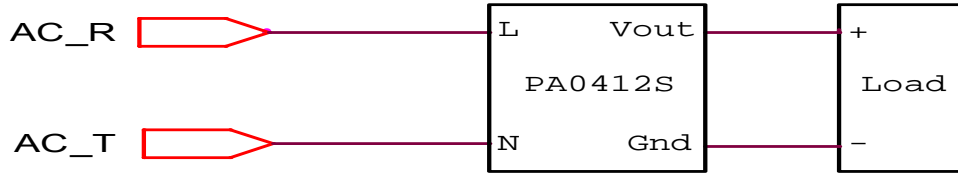
Characteristics		Condition	Min.	Typ.	Max.	Unit
AC Input	Voltage Range(1)		85	220	265	V
	Current	Vi=AC220V, Io=300mA	-	-	0.1	A
DC Output	Voltage Range	Vi=AC220V Io=0 ~ 300mA	11.4	12.0	12.6	V
	Output Current		-	300	350	mA
	Line Regulation	Vi=AC85~220V, Io=300mA	-	-	0.2	V
	Load Regulation	Vi=AC220V, Io=0~300mA	-	-	0.2	V
	Ripple Voltage	Vi=AC220V, Io=300mA	-	-	0.3	Vp-p
	Efficiency	Vi=AC220V, Io=300mA	-	70	-	%
Power Consumption	No Load	Vi=AC220V, Io=0mA	-	0.3	-	W
	Full Load	Vi=AC220V, Io=300mA	-	5	-	W
Ambient Temperature	Operating Range		-10	-	60	°C
	Storage Range		-45	-	105	°C

Notes

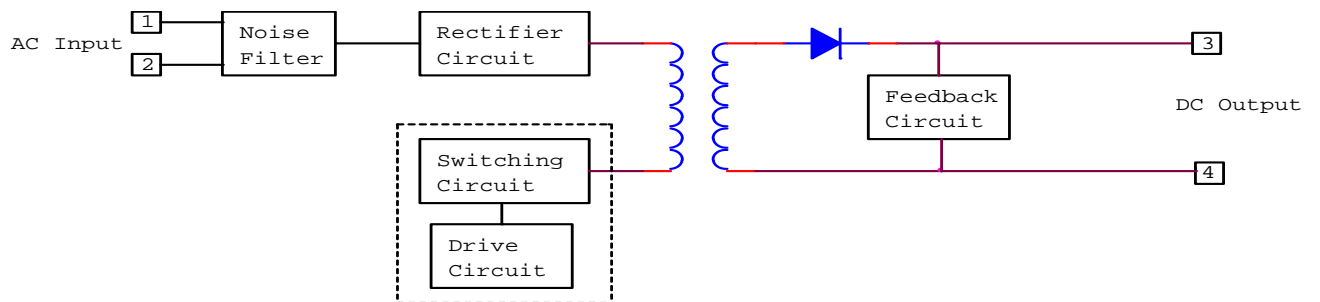
- (1) For cases where the conformance to various safety spec is required, input voltage and frequency range will be 85~265VAC, 60Hz/50Hz.

SMPS Modules

Application Circuit



Block Diagram



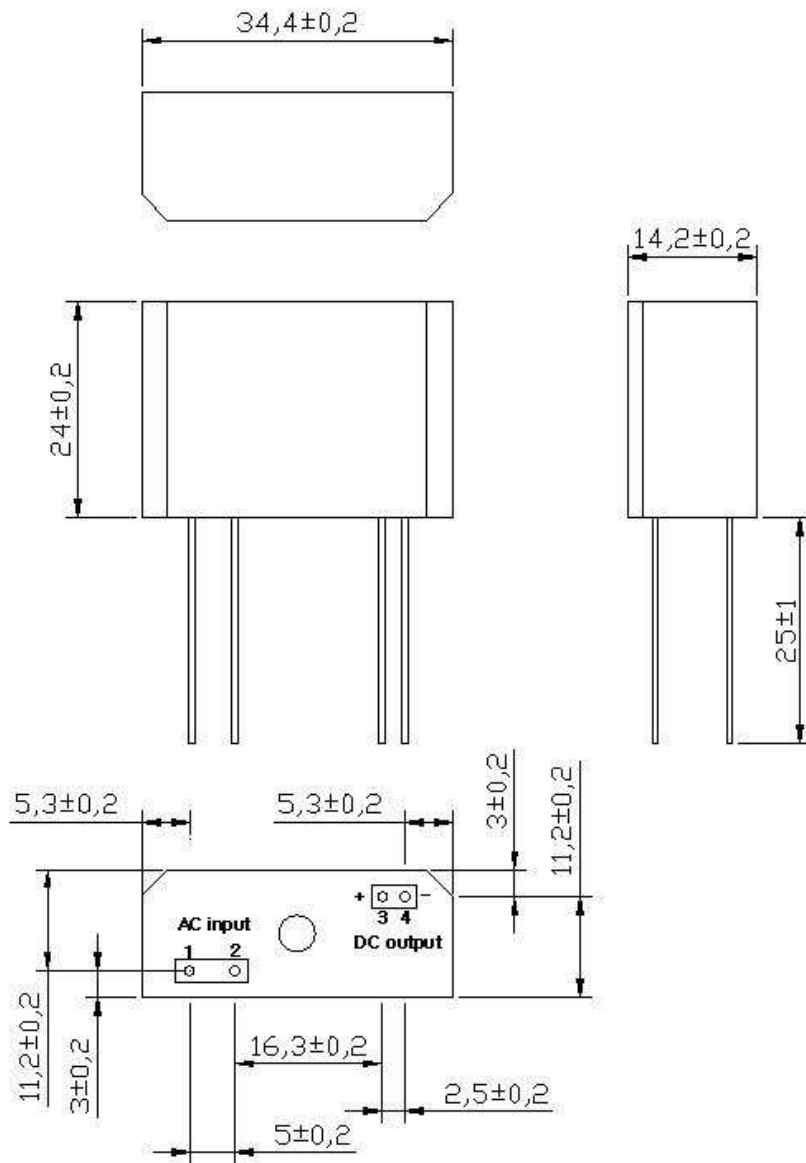
SMPS Modules

Dimension

Pin No.	Description
1	AC INPUT_R
2	AC INPUT_T
3	DC OUTPUT(+)
4	DC OUTPUT(-)

Notes

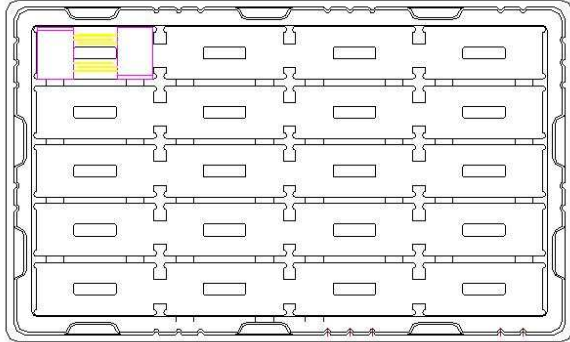
1. Dimension in mm
2. Tolerance : $\pm 0.5\text{mm}$



SMPS Modules

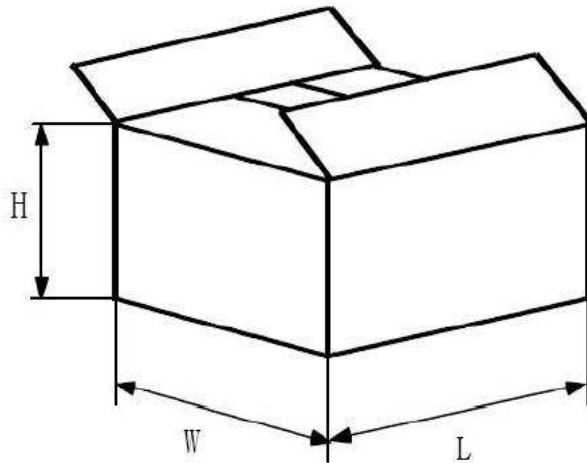
Packing Specification

1. Inner Box



Matter	PET
Size	380 X 230 X 21 X 0.8t
Quantity	40 pcs (8X5)

2. Output Box



L	460
W	390
H	225
Quantity	1040EA
Marking	1. Maker 2. Part Number 3. Quantity

* Unit : mm

POWERGEN Co., Ltd.

67-13, Shinchon-dong, Changwon si, Gyeongnam, S.Korea, 642-370

TEL+ 82 55 275 7803~4 FAX + 82 55 275 7805

This semiconductor technical data is believed to be accurate and reliable, however POWERGEN does not assume any responsibility arising out of the application or use of any product or circuit described herein; neither does it convey any license under its patent rights nor the rights of others.

POWERGEN reserves the right at anytime without notice to change said circuitry and specifications.